



SBP-300WMW

Wall Mount



Key Features

- Mount screw size : PF 1 1/2"
- Color : White

SBP-300WMW

Wall Mount



Specifications

Mechanical	
Color	White
Material	Aluminum
RAL code	RAL9003
Product dimensions / weight	276.5x112x183mm / 730g
Mount Screw size	M10
Max. load	10kg
Supported products	SBP-120HMW, SBP-140HMW, SBP-160HMW1, SBP-180HMW1 ※ For further compatible models, please visit our website or use Toolbox

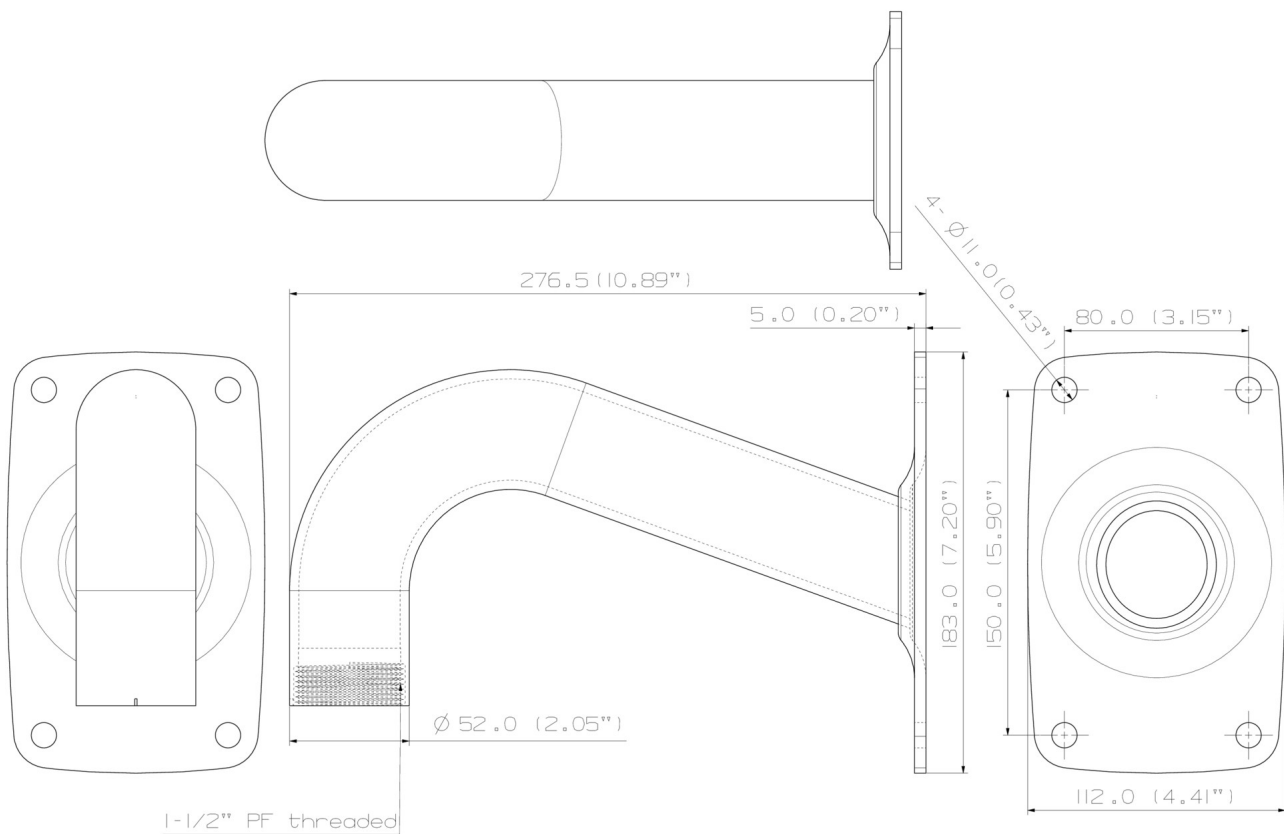
SBP-300WMW

Wall Mount



CAD

Unit: mm [inch]



SCX-300WM Unit : mm (inch)