



Analog

Bullet

# HCO-6020R

2MP Analog IR Bullet Camera



## Key Features

- Full HD (1,920 x 1,080) Resolution
- 0.17Lux@F1.6 (Color), 0Lux (B/W : IR LED on)
- Built-in 4mm fixed lens
- Day & Night (ICR), WDR (120dB)
- SSNRIV, Motion detection
- Transmission distance max.500m

# HCO-6020R

2MP Analog IR Bullet Camera



## Specifications

### Video

Imaging Device	Size	1/2.8"
	Type	CMOS
Resolution		1920x1080
Max. Framerate(NTSC/PAL)		30fps/25fps
Min. Illumination	Color(1/30sec, 30IRE)	0.17
	BW(1/30sec, 30IRE)	0.017
Video Out		BNC: AHD/TVI/CVI/CVBS Selectable
Video Transmission Distance		500m(5C2V Coaxial Cable)

### Lens

Focal Length (mm)		4
Max Aperture Ratio (F number)	Wide	1.6
Angular Field of View	Horizontal	87.6°
	Vertical	46.4°
	Diagonal	104.5°
Min. Object Distance		0.5m(1.64ft)
Focus Control		Manual

### Operational

Day & Night		Auto(ICR)
Backlight Compensation		BLC, HLC, WDR
Wide Dynamic Range (dB)		120
Digital Noise Reduction		SSNRIV
Defog		Support
Motion Detection	Quantity	4ea
Privacy Masking	Quantity	8ea
	Shape	Rectangular zones
Gain Control		Low, Middle, High, Very High
White Balance		ATW, AWC, Manual, Indoor, Outdoor

## Operational

Electronic Shutter	Speed Range	1~1/12,000sec
Video Rotation		Flip, Mirror
IR Viewable Length		30m(98.43ft)
Coaxial Protocol		ACP, TCP, CCP, CVBS

## Analytics

Analytics Events	Normal	Motion detection
------------------	--------	------------------

## Environmental & Electrical

Operating Condition	Temperature	-30°C~+55°C(-22°F~+131°F)
	Humidity	0~90% RH(non-condensing)
Input Voltage		12VDC
Power Consumption	12VDC	Max 5.4W

## Mechanical

Color		Dark grey
Material		PC(Polycarbonate)
Product Dimensions		ø58.6x165.2mm(2.31x6.50")
Product Weight		279g(0.62lb)

## Certifications & Standards

Environment		IEC 60529 IP66
-------------	--	----------------

HCO-6020R

# HCO-6020R

2MP Analog IR Bullet Camera

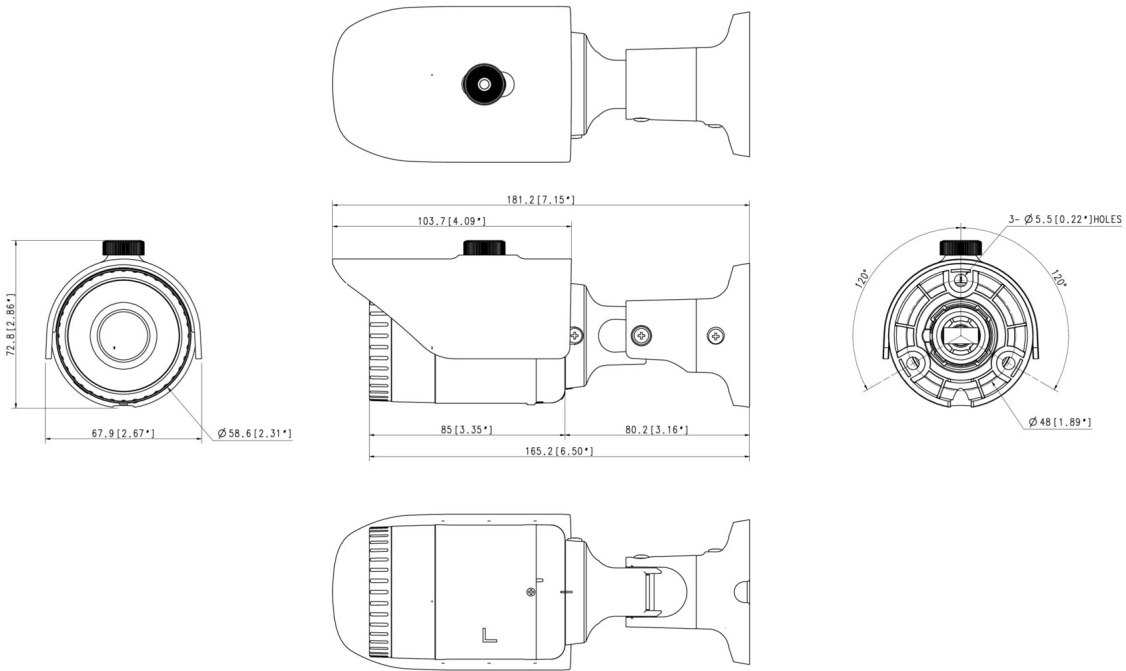


## CAD

Unit: mm [inch]

This parts should not contain any substances which are specified in STS-TP91-015

NO	PART NAME	CODE NO.	MATERIAL	Q'TY	REMARK
1	APPEARANCE HCO-6020R	-	MATERIAL	1	REMARK



STANDARD TOLERANCE				
DIV	0.1	0.2	0.3	0.4
0-16	0.05	0.1	0.2	0.3
16-30	0.06	0.12	0.2	0.4
30-50	0.08	0.15	0.3	0.5
50-100	0.1	0.2	0.4	0.6

CHANGE	UNIT	mm	DESIGN	Mu	Yi	CHECK	-	APPROVAL	-	PART NAME	APPEARANCE HCO-6020R
	SCALE	1/1								MODEL NAME	HCO-6020R
										CODE NO.	-