



## Flame Detection IP Camera

# NK1080BL-AF-F2

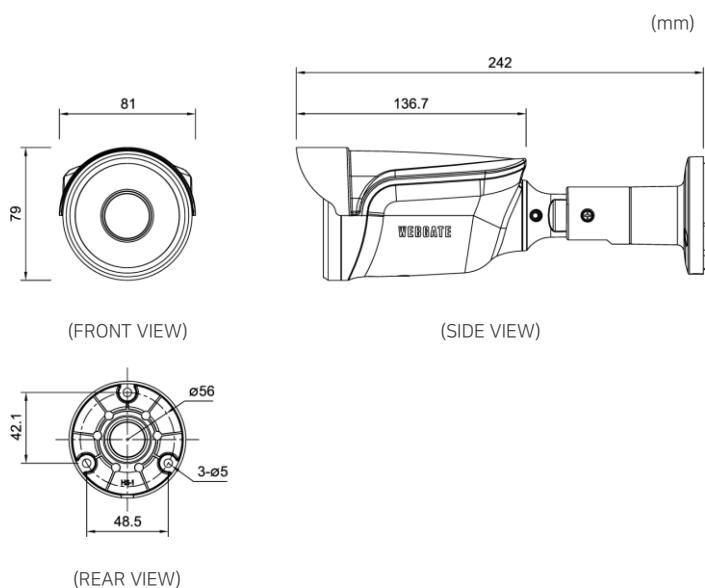
Flame Detection | SONY STARVIS | Onvif | PoE



### Key Features

- Full-HD flame detection camera adopting flame wave detection technology
- Minimizing false alarm by detection flame wave with two separate IR sensors
- Sensing wide angle up to 100 ° and long distance up to 30 meters
- Dual detection system by connecting with smoke detectors
- 2.1M SONY STARVIS sensor
- 3 Multi-Stream supported including 1920x1080 30fps
- Onvif / PoE supported
- H.264, MJPEG
- Dust proof/Water proof proven by IP66
- IR LED : 30pcs

### Dimension



### Tech Note

#### Two separate IR Sensors

Minimizing false alarm by detection flame wave with two separate IR sensors

Optimal set-up such as flame detection sensitivity and alarm duration time according to user environment

#### SONY STARVIS Image Sensor

Highly sensitive SONY STARVIS CMOS Sensor provides crystal clear image in low light condition.

#### Higher performance SoC

High performance ISP functions such as 3DNR, WDR, and etc.

Revolutionary response speed and stabilized performance.

#### ONVIF Profile S

Support standard protocol version , ONVIF Profile S, which makes it compatible with 3rd party's software and system.



## Flame Detection IP Camera

## NK1080BL-AF-F2



Flame Detector	
Detection Method	Detecting using IR Sensor (2 sensors)
Detection Distance / Angle	30m / 100° (Fire : 1.5m / Sensitivity : 10)
Sensitivity	1~10 steps
Detection Time	0.5, 1, 3, 5, 10 sec.
Action Time	Keep On, 20, 30, 40, 50, 60 sec
External Alarm In	1 Input
Camera	
Image Sensor	1/2.8", 2.1Megapixel Sony STARVIS Sensor
Full Resolution	1920(H) × 1080(V) = 2.1M pixels
Scanning System	Progressive Scan
Min Illumination	Color : 0.2Lux@50IRE / F1.2 / 3100K / AGC:10 BW : 0.0005Lux@50IRE / F1.2 / 3100K / AGC:10
Lens	Filter : True Day & Night (ICR) Type : 2-Motor / DC Auto Iris / 2.7~12mm / F1.3 / IR Corrective Mega Pixel Lens
Day & Night	AUTO / COLOR / BW / EXTERN
WDR	LOW / MIDDLE / HIGH
BLC	OFF / ON
HCL	LEVEL(0~20) / COLOR
AGC	0~10
ACE	OFF / LOW / MIDDLE / HIGH
DNR	OFF / LOW / MIDDLE / HIGH
DSS	OFF / AUTO / x2 / x4 / x8 / x16 / x32
SHARPNESS	0~10
Mirror	Horizontal / Vertical
White Balance	AUTO / AUTOext / PRESET / MANUAL
Electric shutter	INDOOR / OUTDOOR / INDOOR-ANTI BLUR / OUTDOOR-ANTI BLUR / MANUAL(1/30~1/30000, 12steps)
Privacy	ON / OFF (BOX-10 Positions)
DE-FOG	OFF / ON (MODE / LEVEL)
IR LED	30pcs
Video	
Compression Type	H.264 (MPEG4 AVC) Main profile, Baseline profile / MJPEG
Resolution	1st : 1920×1080 / 1280×720 / 800×600 / 704×480 / 704×400 / 640×360 / 480×272 / 320×184 2nd : 640×360 / 480×272 / 320×184 3rd : 1920×1080
Bitrate	128Kbps ~ 5Mbps
Frame Rate	30fps@1080p
Streaming	1st : H.264 Stream up to 1080p 30fps 2nd : H.264 nHD Stream / 30fps 3rd : JPEG 1080p Stream / 1fps
Network & Software	
Interface	1 Fast Ethernet RJ-45 port (10/100Mbps)
Network Type	Fixed IP / DHCP
DDNS	Not Supported
Port	HTTP : 80 / RTSP : 554
Protocol	HTTP / RTSP/RTP / Onvif / TCP/IP / UDP / ARP / ICMP / DHCP
Onvif	Support
Simultaneous Users	Max. 3 users
DST	Support
NTP	Support
IP Address Filtering	TBD
Web Browser (Recommended)	IE 11
Web Monitoring	IE : ActiveX based / Other browser : JPEG based
Web Configuration	Multi-platform web config / Desktop (Mac / Linux / Windows)
NVR	NVRs supporting Onvif
PC CMS Software	Control Center Standard (bundle), Control Center Pro
Relay Server	WinRDS
Electrical & Environmental	
Power Source	DC 12V ± 10% / PoE (802.3af, 36V~57V)
Power Consumption	IR OFF : 150mA(MAX) / IR ON : 400mA(MAX)
Operating Temperature	-10°C ~ 45°C
Humidity	0% RH ~ 80% RH
Certification	KC, FCC, CE